

OUR LOADING TECHNIQUE IS ASTONISHING.

PROMStahl loading technique is based on high quality, durable and safe solutions for loading vehicles or containers. By deciding to purchase PROMStahl product, you make a right choice: innovative product development works, individual planning, competent advisors, certified production and professional assembly, as well as reliable service and regular maintenance of your equipment are integral parts of our assortment.

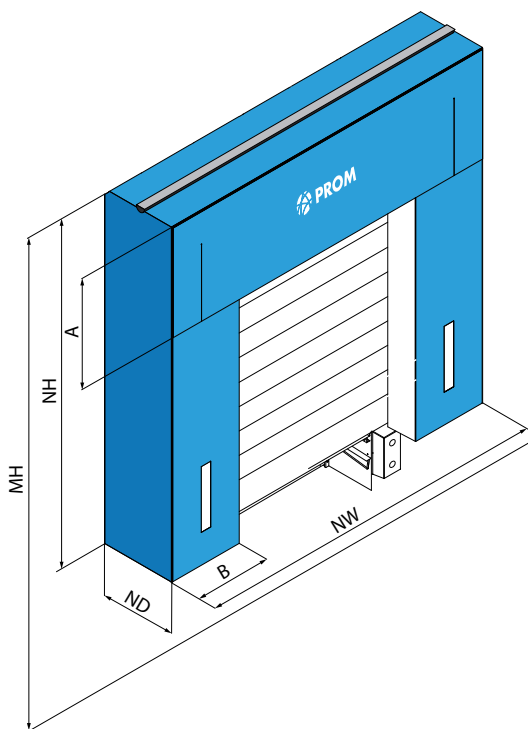
More information



Mechanical dock shelter

Type PMV

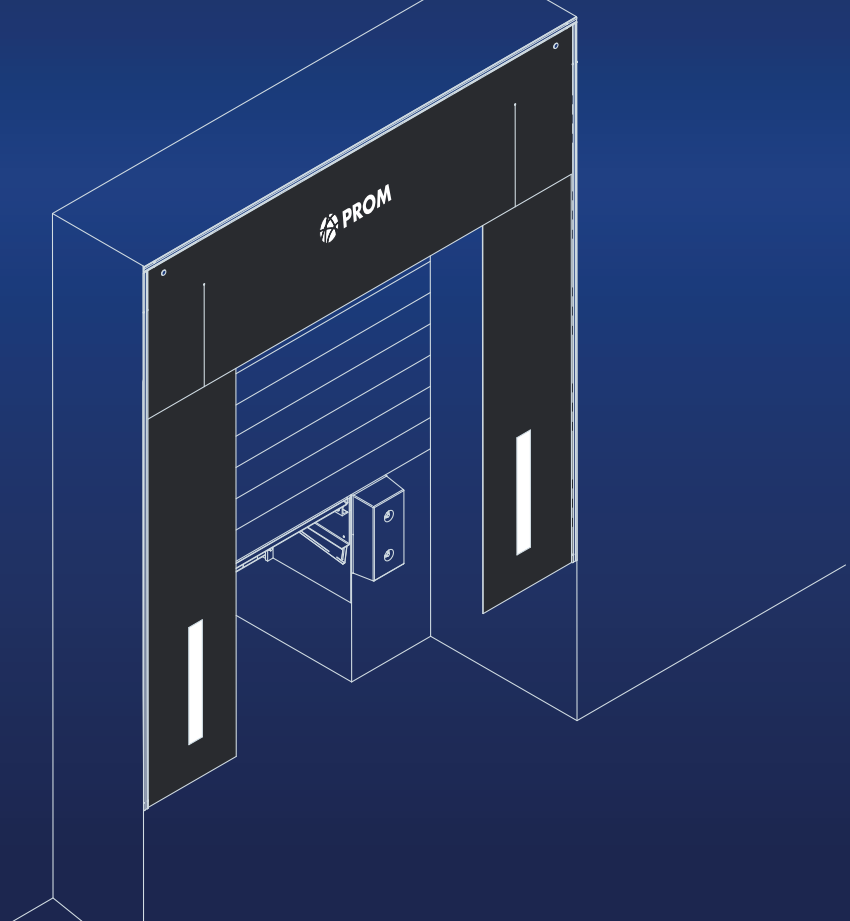
The front and the rear frame of the **PMV dock shelter** consist of high-stability extruded aluminum sections connected to each other by bracing arms. The curtain is 3 mm thick, made of highly wear and tear resistant double-layer PVC-coated cloth and mounted on the flexible frame. Thanks to the adaptable roof and the parallel guide systems the front structure moves backward in the case of inaccurate docking, hence preventing damage to the dock shelter. The front part of the dock shelter is provided with warning stripes to facilitate the docking process. An integrated rain channel allows lateral drainage of rainwater (optional). The standard version of the dock shelter is provided with a slit in the left and right-hand corner. Partially or completely slit top curtains are available at little surcharge.



NW	NH	ND	A	B
3.250	3.200, 3.400, 3.500, 3.600	600	1.000	600
3.300	3.200, 3.400, 3.500, 3.600	600	1.000	600
3.400	3.200, 3.400, 3.500, 3.600	600	1.000	600
3.450	3.200, 3.400, 3.500, 3.600	600	1.000	700

All dimensions in mm.
 NW = Nominal width, NH = Nominal height, ND = Nominal depth, MH = Installation height (recommendation 4.500 mm), A = Top curtain height, B = Side curtain width
 Other sizes available upon request. Plan material in black.

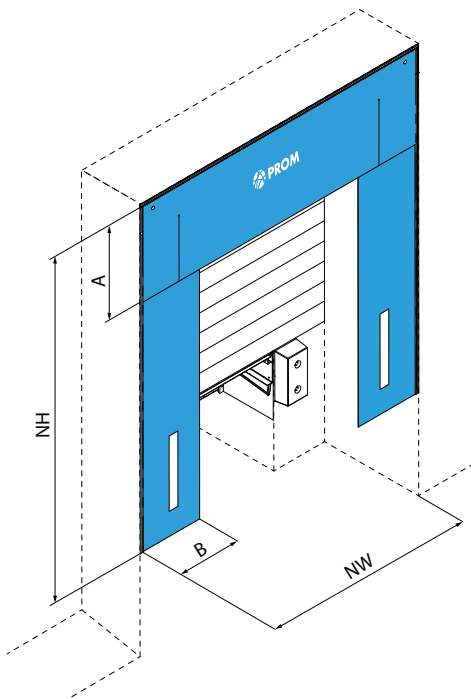
More information



Alcove-mounted curtain-type dock shelter

Type PMN

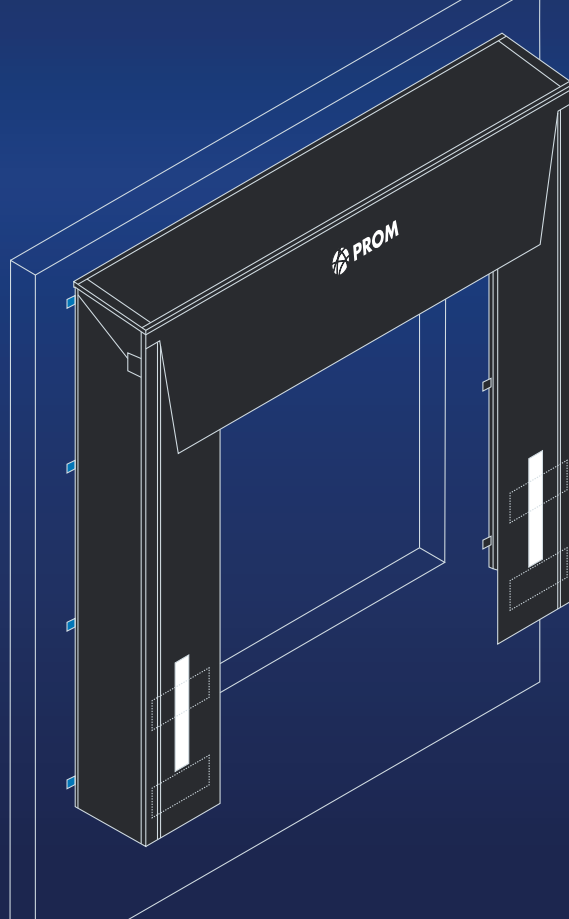
This type of dock shelter consists of aluminum profiles which are mounted to both sides and to the top edge of the alcove. The shelter can be set in concrete, steel or installed using a special fixing system. The high-durability, 3 mm thick curtains are made of 2-layer, PVC-coated fabrics. Warning stripes at the front section of the dock shelter facilitate the vehicle dock-in procedure. The PMN dock shelter is pre-mounted and consists of just three parts; therefore, it can be mounted to the façade very fast and easily. Considerable savings regarding time and money are the decisive advantages of this design.



	Standard dimensions
Nominal width (NW)	3.250, 3.300, 3.400, 3.450
Nominal height (NH)	3.200, 3.400, 3.500, 3.600
Dock height (A)	1.000
Side curtain width (B)	600 (\leq NW 3.400) and 700 ($>$ NW 3.450)

All dimensions in mm.
Other sizes available upon request. Plan material in black.

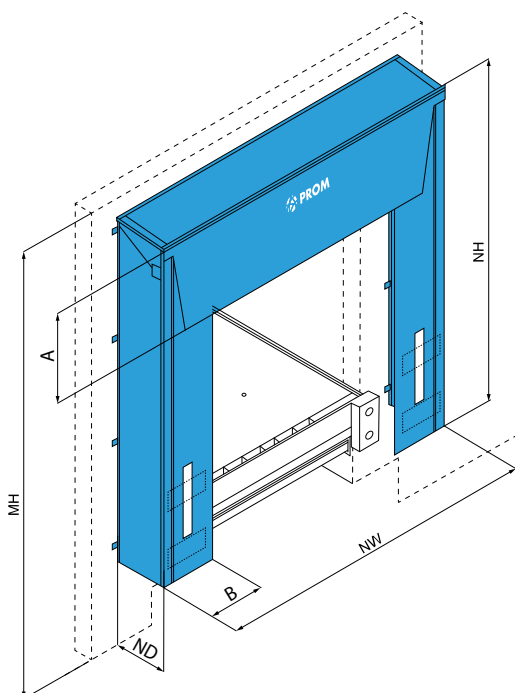
More information



Mechanical dock shelter with side cushions

Type PMSK

The **mechanical dock shelter PMSK** is a new product of PROMStahl's wide product range. It mainly consists of an height-adaptable roof part and two side parts. These side parts are made of a special foam material. If a vehicle does not dock in perfectly, these foam side parts are compressed and then move to the sides. Therefore, the dock shelter is not damaged even if the truck does not reverse centrally. Thanks to the special design of the height-adaptable roof part, damage is avoided even for very high trucks like jumbo vehicles or demountable containers. If the vehicle is lifted, the roof automatically follows this upward movement. The roof returns to its original position after the vehicle has left the docking station.



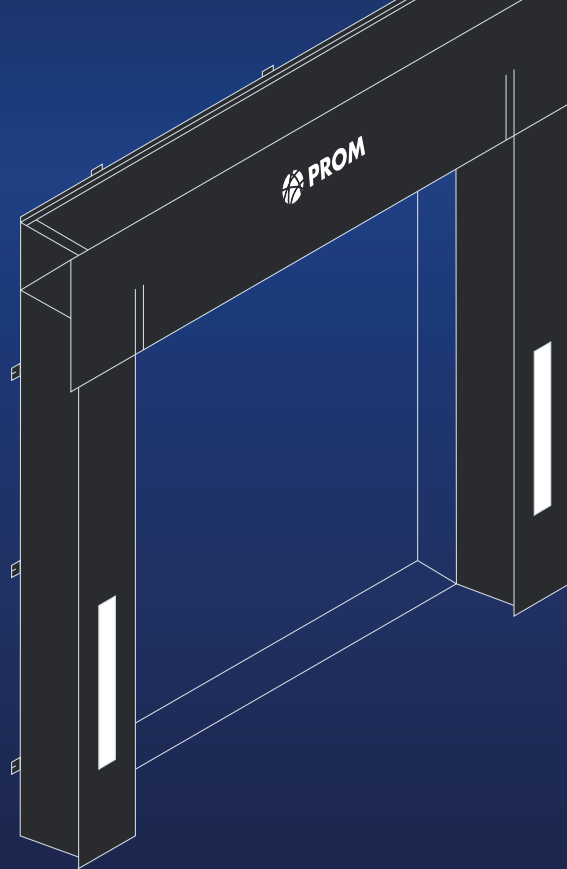
	Standard dimensions
Nominal width (NW)	3.250, 3.300, 3.400, 3.450
Nominal height (NH)	3.200, 3.400, 3.500, 3.600
Nominal depth (ND)	550
Dock height (A)	1.000
Side curtain width (B)	600 (\leq NW 3.400) and 700 ($>$ NW 3.450)
Installation height (MH)	4.500 (recommandation)

All dimensions in mm.

NW = Nominal width, NH = Nominal height, ND = Nominal depth, MH = Installation height (recommandation 4.500 mm), A = Top curtain height, B = Side curtain width.

Other sizes available upon request. Plan material in black.

More information



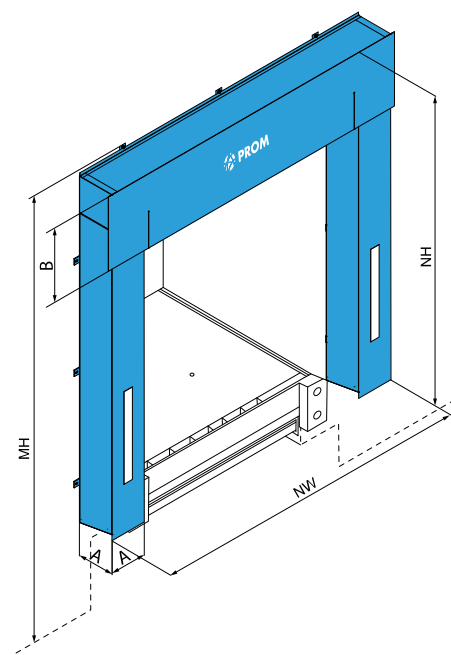
Mechanical cushion seal dock shelter

Type PMK

The PROMStahl **PMK dock seal** is designed for loading and unloading truck fleets consisting of vehicles almost identical in width and height. It guarantees perfect protection from draught, rain and wind and thus prevents energy losses.

The dock seal is equipped with a horizontal cushion and two vertical cushions consisting of foam material completely covered by a PVC-coated high-resistance Trevira fabric. The dimensions of the dock seals are defined depending on the individual characteristics of your loading bay and the vehicle types to be loaded/unloaded i.e. your PROMStahl dock seal is always tailor-made.

The PMK dock shelter is pre-mounted and consists of just three parts; therefore, it can be mounted to the façade very fast and easily. Considerable savings regarding time and money are the decisive advantages of this design.



	Standard dimensions
Nominal width (NW)	2.600, 2.800
Nominal height (NH)	2.500, 2.700, 2.900
Cushion cross section (A)	300 x 300
Top curtain height (B)	600
Installation height (MH)	4.100 (recommandation)

All dimensions in mm.
Other sizes available upon request. Plan material in black.

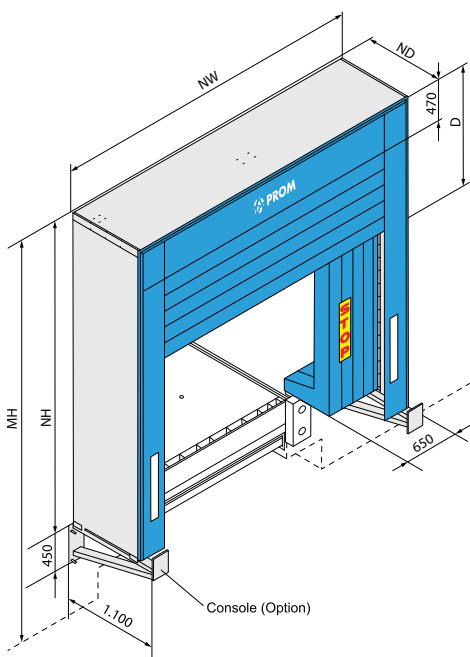
More information



Inflatable dock shelter

Type PWI

PROMStahl's series of **inflatable dock shelters** combines optimum sealing with the greatest possible variety of applications. The inflatable side and top cushions provide airtight contact with the vehicle. This type of shelter is thus ideal for temperature-controlled warehouses to seal against summer heat, winter cold, draught, dust and insects. The results are substantial savings on energy, improved working environment, production and safety. Moreover, the shelter reduces the possibility of unauthorized personnel entering the warehouse through the loading bay doorway, hence considerably reducing loss through theft. The inflatable top and side cushions not only guarantee optimum sealing but also automatically adapt to the truck measurements. This feature means that trucks of varying sizes can be sealed effectively. Offering a very good payback period PROMStahl dock shelters are a highly cost-effective investment.



NW	NH	ND	D
3.500, 3.600, 3.700	3.600, 4.000, 4.700	920	1.350, 1.750

All dimensions in mm.

NW = Nominal width, NH = Nominal height, ND = Nominal depth, D = Height of top seal (inflated), MH = Installation height (recommendation 4.700 mm).

*Console (option) only for outside height (3.600 and 4.000 mm).

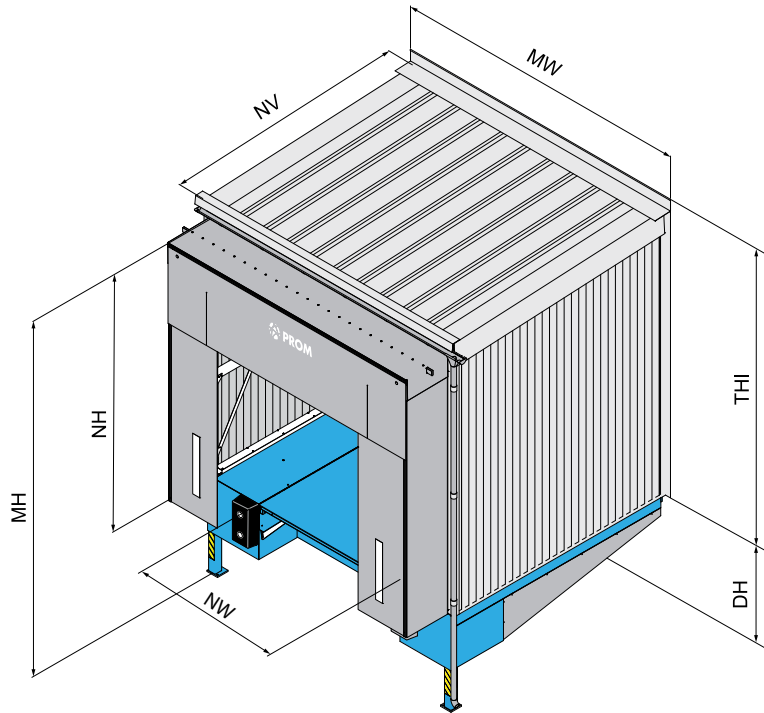
Plan material in black.

Loading house

Type PL



More information



The **loading house** is a housing system that combined with the loading ramp forms a stand-alone docking system that can be attached to the building. It comprises all the components of a complete docking system: dock leveller, dock shelter and sectional door: These elements represent a complete and sophisticated docking system that depending on the individual loading situation offers decisive advantages over conventional internal ramps. They extend the available storage space and at the same time provide the building with thermal insulation.

Hot-dip galvanization of the whole steel frame system is standard. Water drainage systems and façade elements matched to your building are also available as optional equipment.

Load house Type PL						
NV	2.020			2.470		
DH	950 – 1.050	1.100 – 1.250	1.300 – 1.500	950 – 1.050	1.100 – 1.250	1.300 – 1.500
THI*	4.040	3.840	3.640	4.065	3.865	3.665
MW	All dimensions 3.300, 3.500, 3.600					
NV	3.020			3.520		
DH	950 – 1.050	1.100 – 1.250	1.300 – 1.500	950 – 1.050	1.100 – 1.250	1.300 – 1.500
THI*	4.090	3.890	3.690	4.115	3.915	3.715
MW	All dimensions 3.300, 3.500, 3.600					

* Dimension for insulated design.

All dimensions in mm.

MW = Loading house module width, NV = Loading house nominal length (NL+20), NW = Dock leveller nominal width, THI = Wall connection height, insulated (panels), THU = Wall connection height, without insulation (trapezoidal sheet), THX = Wall connection height (without cladding), DH = Dock height, NH = Nominal height of the dock shelter, MH = Dock shelter installation height, Recommendation: MH = 4.500 for truck heights up to 4.000.

Aviable versions:

PLSU / PLMU – single/multiple systems without insulation (trapezoidal sheet)

PLSI / PLMI – single/multiple systems, insulated (panels)

PLSX / PLMX – single/multiple systems (frame only)